

DIN 72 x 36-mm Total Counter/Time Counter with Easy-to-read Displays and Water and Oil Resistance Equivalent to IP66



- Large, easy-to-read displays: 15-mm-high characters for 6-digit models; 12-mm-high characters for 8-digit models.
- High-visibility, negative transmissive LCD display with built-in red LED backlight at low power consumption.
- IP66 with oil resistance and NEMA4 are achieved by unifying the front with the casing case and using oil-resistant materials and parts.
- Compact (66 mm) body.
- Switch 6-digit models between total counter and time counter operation.
- Just change a switch setting for either an NPN or PNP input.
- Supports both external resetting and manual resetting.
- Finger-protection terminal block cover prevents electrical shock and conforms to VDE0106, Part 100.
- Safety standards: UL, CSA, EMC (EN 61326), CE Marking.



For the most recent information on models that have been certified for safety standards, refer to your OMRON website.

Model Number Structure

Model Number Legend

H7HP-□□□□
1 2 3 4

1. Classification

- A: Total counter/time counter
- C: Total counter

2. Digits

- None: 6 digits
- 8: 8 digits

3. Supply Voltage

- None: 100 to 240 VAC
- D: 12 to 24 VDC

4. Case Color

- None: Light gray (Munsell 5Y7/1)
- B: Black

Ordering Information

List of Models

Supply voltage	6-digit total counter/time counter		8-digit total counter	
	Light gray	Black	Light gray	Black
100 to 240 VAC	H7HP-A	H7HP-AB	H7HP-C8	H7HP-C8B
12 to 24 VDC	H7HP-AD	H7HP-ADB	H7HP-C8D	H7HP-C8DB

Specifications

■ Ratings

Item	6-digit total counter/time counter		8-digit total counter	
	H7HP-A	H7HP-AD	H7HP-C8	H7HP-C8D
Rated supply voltage	100 to 240 VAC (50/60 Hz)	12 to 24 VDC (see note 1)	100 to 240 VAC (50/60 Hz)	12 to 24 VDC (see note 1)
External power supply	50 mA at 12 VDC	---	50 mA at 12 VDC	---
Operating voltage range	85% to 110% of rated supply voltage			
Power consumption	100 to 240 VAC: 6.5 VA max. 12 to 24 VDC: 0.6 W max.			
Dimensions	72 x 36 x 66 mm (W x H x D)			
Mounting method	Flush mounting			
External connections	Screw terminals			
Degree of protection	Panel surface: IP66 with oil resistance, NEMA 4 (indoors). Panel surface only: IEC IP66. IEC IP66			
Display	7-segment, negative transmissive LCD (with red backlight)			
Digits	6 digits (15-mm-high characters)		8 digits (12-mm-high characters)	
Function	Total counter/time counter (selected via DIP switch)		Total counter	
Input mode	Up/down (individual) (total counter), or accumulative (time counter)		Up/down (individual)	
Max. counting speeds	30 Hz or 5 kHz (selected via DIP switch)			
Counting range	-99999 to 999999		-9999999 to 99999999	
Time specification	0.1 to 99999.9 h/1 s to 99 h 59 min 59 s (selected via DIP switch)		---	
Timing accuracy	±100 ppm (-10°C to 55°C)		---	
Memory backup	EEP-ROM (overwrites: 200,000 times min.) that can store data for 20 years min.			
Input	Input signals	Count 1/start, count 2/gate, reset, and key protection (see note 2)		
	Input method	No-voltage input (NPN transistor input) or voltage input (PNP transistor input) (selected via DIP switch)		
	Count, start, gate, reset	No-voltage input (NPN transistor input) Short-circuit (ON) impedance: 1 kΩ max. Short-circuit (ON) residual voltage: 2 VDC max. Open (OFF) impedance: 100 kΩ min. Voltage input (PNP transistor input) Short-circuit (ON) impedance: 1 kΩ max. ON voltage: 9 to 24 VDC OFF voltage: 5 VDC max. Open (OFF) impedance: 100 kΩ max.		
	Key protection	No-voltage input (NPN transistor input) Short-circuit (ON) impedance: 1 kΩ max. Short-circuit (ON) residual voltage: 0.5 VDC max. Open (OFF) impedance: 100 kΩ min.		
Input response speed	Reset	Time counter: 20 ms; total counter: 20 ms or 1 ms (automatically switched according to counting speed)		
	Start	Time counter: 20 ms		
	Key protection	Approx. 1 s	Approx. 1 s	
Reset system	External and manual resets			

Note: 1. Contains 20% ripple (p-p) max.

- 2.** Only a non-voltage input (NPN transistor) is possible for the key protection input. The key protection input will be a non-voltage input even if the NPN/PNP input mode is set to PNP. Key protection is used to prohibit operating the Reset Key. The reset input terminals will still be functional.

■ Characteristics

Insulation resistance	100 MΩ min. (at 500 VDC)
Dielectric strength	2,000 VAC, 50/60 Hz for 1 min between current-carrying terminal and exposed non-current-carrying metal parts (AC model) 1,000 VAC, 50/60 Hz for 1 min between current-carrying terminal and exposed non-current-carrying metal parts (DC model) 2,000 VAC, 50/60 Hz for 1 min between power terminals and control input terminals (AC model)
Impulse withstand voltage	3 kV (between power terminals) (1 kV for 12-to-24-VDC models) 4.5 kV (between current-carrying terminal and exposed non-current-carrying metal parts) (1.5 kV for 12-to-24-VDC models)
Noise immunity	±1.5 kV (between AC power terminals), ±480 V (between DC power terminals), ±480 V (between input terminals); square-wave noise by noise simulator (pulse width: 100 ns/1 μs, 1-ns rise)
Static immunity	Display: Malfunction: 8 kV Destruction: 15 kV DIP switch: Malfunction: 4 kV Destruction: 8 kV
Vibration resistance	Destruction: 10 to 55 Hz with 0.75-mm single amplitude, 2 hours each in three directions Malfunction: 10 to 55 Hz with 0.5-mm single amplitude, 10 minutes each in three directions
Shock resistance	Destruction: 294 m/s ² each in three directions Malfunction: 196 m/s ² each in three directions
Ambient temperature	Operating: -10°C to 55°C (with no icing) Storage: -25°C to 65°C (with no icing)
Ambient humidity	Operating: 35% to 85%
EMC	(EMI) EN61326-1 (note 1.) Emission Enclosure: EN55011 Group 1 class A Emission AC Mains: EN55011 Group 1 class A (EMS) EN61326-1 (note 1.) Immunity ESD: EN61000-4-2: 4 kV contact discharge (level 2) 8 kV air discharge (level 3) Immunity RF-interference: EN61000-4-3: 10 V/m (Amplitude-modulated, 80 MHz to 1 GHz) (level 3); 10 V/m (Pulse-modulated, 900 MHz ±5 MHz) (level 3) Immunity Conducted Disturbance: EN61000-4-6: 10 V (0.15 to 80 MHz) (according to EN61000-6-2) Immunity Burst: EN61000-4-4: 2 kV power-line (level 3); 2 kV I/O signal-line (level 4) Immunity Surge: EN61000-4-5: 1 kV line to lines (power and output lines) (level 2); 2 kV line to ground (power and output lines) (level 3) Immunity Voltage Dip/Interruption: EN61000-4-11: 0.5 cycle, 100% (rated voltage)
Approved standards	UL508 (note 2), CSA C22.2 No.14 (note 2), conforms to EN61010-1, VDE0106/P100
Case color	Rear section: Gray smoke; Front section: 5Y7/1 (light gray) or N1.5 (black)
Weight	Approx. 115 g

Note: 1. Industrial electromagnetic environment (EN/IEC 61326-1 Table 2)

2. UL508 and CAN/CSA-C22.2 No.14 certification conditions

- Power supply 100 to 240VAC types
Ambient temperature 30°C Single mounting
- Power supply 12 to 24VDC types
Ambient temperature 40°C Single mounting

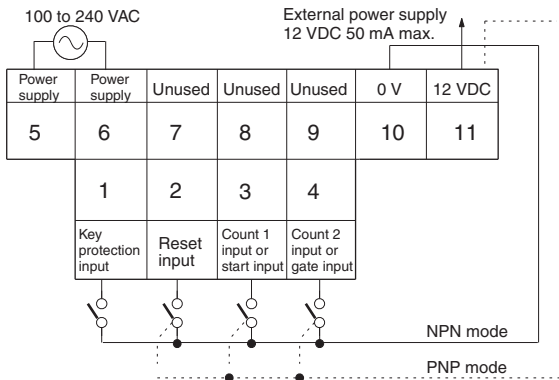
Connections

Terminal Arrangement

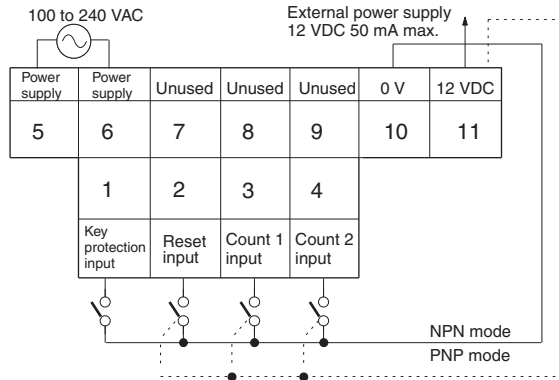
- Note:** 1. Incremented for count 1 (CP1) inputs; decremented for count 2 (CP2) inputs.
 2. Non-contact input is also available.

AC Models

H7HP-A

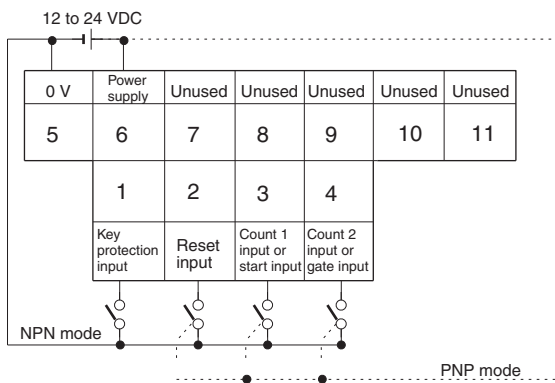


H7HP-C8

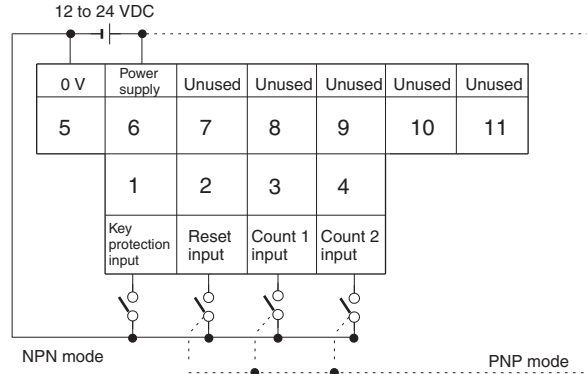


DC Models

H7HP-AD



H7HP-C8D



Operation

DIP Switch Settings

Switches 1 to 4 are all set to OFF before shipping.



H7HP-A

Pin no.	Item	OFF	ON
1	Function	Total counter	Time counter
2	Counting speed (note)	30 Hz	5 kHz
	Time range (note)	99999.9 h	99 h 59 min 59 s
3	Input mode (note)	NPN	PNP
4	Unused	---	---

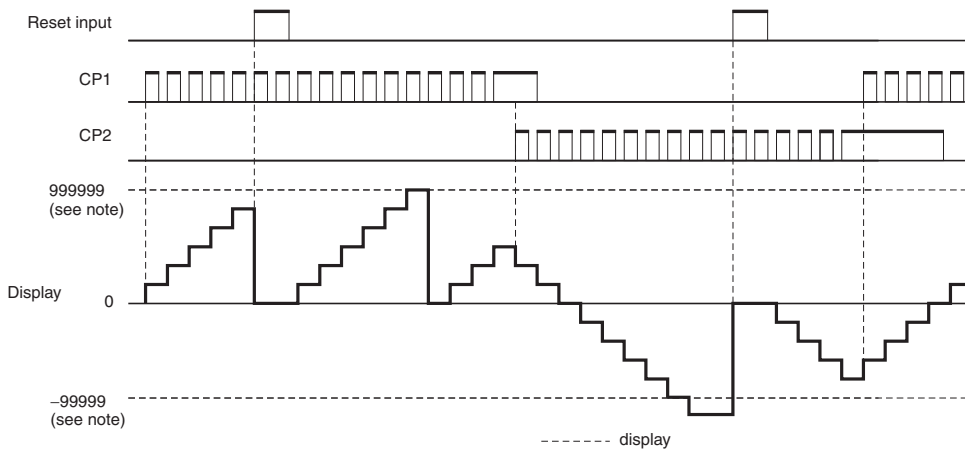
H7HP-C

Pin no.	Item	OFF	ON
1	Unused	---	---
2	Counting speed (note)	30 Hz	5 kHz
3	Input mode (note)	NPN	PNP
4	Unused	---	---

Note: When the setting has been changed, turned power off and on to continue. The display will show "0" when the power is turned back on.

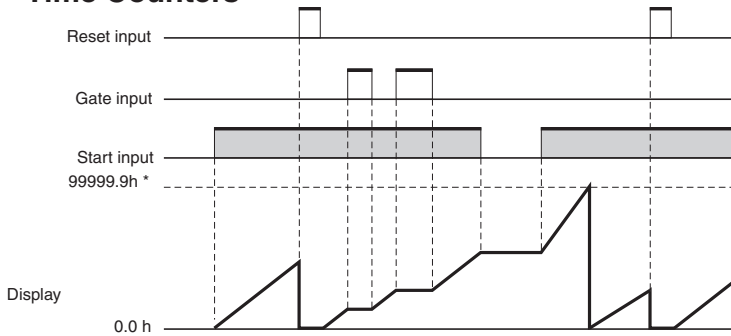
Operating Modes

Total Counters



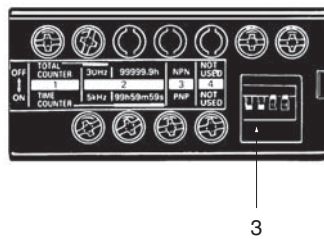
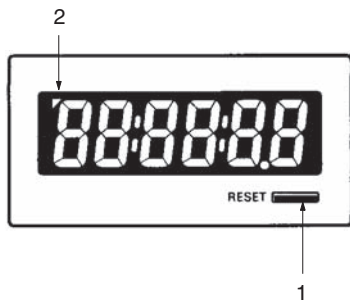
Note: Display values are shown for a 6-digit model. The count value will return to "0" when "999999" is exceeded. The display and output are turned OFF when the power supply turns OFF, but the count value is stored internally.

Time Counters



* Display values are shown for full scale set to 99999.9 h.
Note: The count value will return to "0" when "99999.9" is exceeded. The display and output are turned OFF when the power supply turns OFF, but the count value is stored internally.

Nomenclature



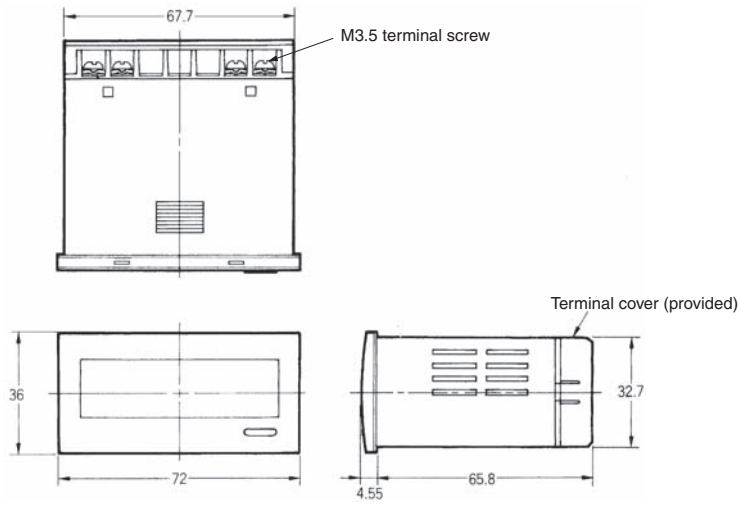
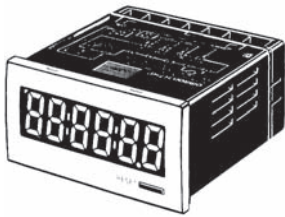
(The figure shows the DIP switch label stuck to the rear of the case.)

1. **Reset Key**
Resets the count value, but will not operate while the keys are protected.
2. **Key Protection Indicator**
Lit while the keys are protected (Reset Key is disabled).
3. **DIP Switch**
Use to change a setting. Refer to *DIP Switch Settings* for details.

Dimensions

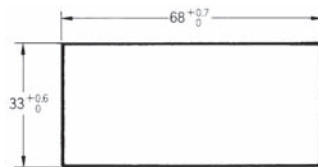
Note: All units are in millimeters unless otherwise indicated.

H7HP-A
H7HP-C8



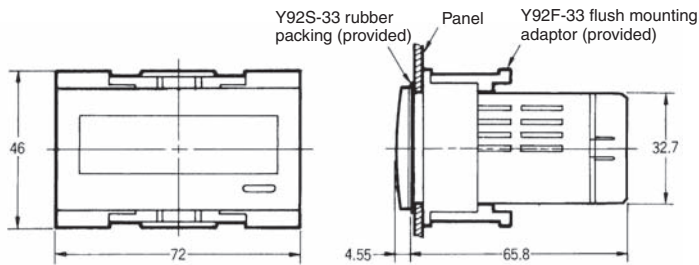
Panel Cutouts

Panel cutouts are as shown below (according to DIN43700).



- Note:**
1. The mounting panel thickness should be 1 to 6 mm.
 2. Water resistance will be lost if Counters are mounted side-by-side.

With Flush Mounting Bracket



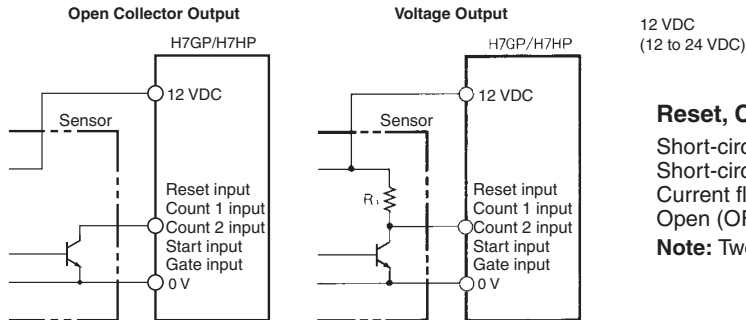
Connections (Common)

Input Connections

Note: The following is common for all H7GP/H7HP models.

No-voltage Input (NPN Input Mode)

Reset, Count 1, Count 2, Start, and Gate Inputs



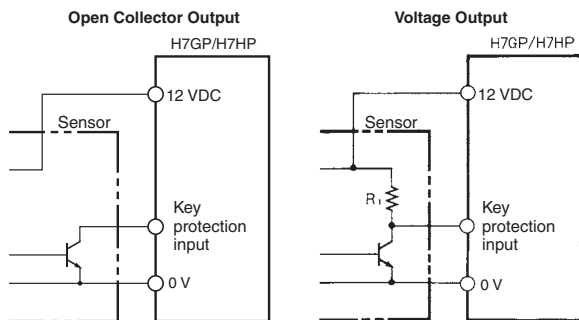
12 VDC
(12 to 24 VDC)

Reset, Count 1, Count 2, Start, and Gate Inputs Specification

Short-circuit (ON) impedance: 1 k Ω max.
 Short-circuit (ON) residual voltage: 2 VDC max.
 Current flow for 0- Ω short-circuit: Approx. 2 mA
 Open (OFF) impedance: 100 k Ω min.

Note: Two-wired sensors cannot be used.

Key Protection Input



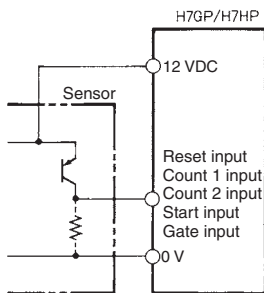
Key Protection Inputs Specification

Short-circuit (ON) impedance: 1 k Ω max.
 Short-circuit (ON) residual voltage: 0.5 VDC max.
 Current flow for 0- Ω short-circuit: Approx. 0.5 mA
 Open (OFF) impedance: 100 k Ω min.

Note: Two-wired sensors cannot be used.

Voltage Input (PNP Input Mode)

Reset, Count 1, Count 2, Start, and Gate Inputs



Reset, Count 1, Count 2, Start, and Gate Inputs Specification

Short-circuit (ON) impedance: 1 k Ω max.
 ON voltage: 9 to 24 VDC
 OFF voltage: 5 VDC max.
 Open (OFF) impedance: 100 k Ω min.
 Input impedance: Approx. 3.8 k Ω

Note: Two-wired sensors cannot be used.

Safety Precautions (Common)

Refer to *Safety Precautions for All Counters*.

Note: The following is common for all H7GP/H7HP models.

CAUTION

This may occasionally cause electric shock, fire, or malfunction. Never disassemble, repair, or modify the H7GP/H7HP.

This may occasionally cause electric shock, fire, or malfunction. Do not allow metal fragments or lead wire scraps to fall inside the H7GP/H7HP.

Precautions for Safe Use

Observe the following items to ensure the safe use of this product.

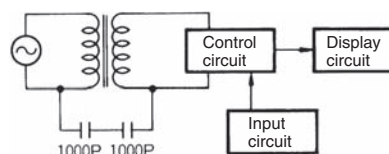
Environmental Precautions

- Store the H7GP/H7HP within the specified ratings. If the H7GP/H7HP has been stored at temperatures -10°C or lower, let it stand for 3 hours or longer at room temperature before turning ON the power supply.
- Use the H7GP/H7HP within the specified ratings for operating temperature and humidity.
- Do not operate the H7GP/H7HP in locations subject to sudden or extreme changes in temperature, or locations where high humidity may result in condensation.
- Do not use the H7GP/H7HP in locations subject to vibrations or shock. Extended use in such locations may result in damage due to stress.
- Do not use the H7GP/H7HP in locations subject to excessive dust, corrosive gas, or direct sunlight.
- Install the H7GP/H7HP well away from any sources of static electricity, such as pipes transporting molding materials, powders, or liquids.
- The H7GP/H7HP is not waterproof or oil resistant. Do not use it in locations subject to water or oil.
- The life expectancy of internal components may be reduced if the H7GP/H7HP is mounted side-by-side.
- Do not use organic solvents (such as paint thinner or benzene), strong alkaline, or strong acids because they will damage the external finish.

Usage Precautions

- Install a switch or circuit breaker that allows the operator to immediately turn OFF the power, and label it to clearly indicate its function.
- Be sure to wire the terminals correctly.
- Do not install input lines in the same duct or conduit as power supply or other high-voltage lines. Doing so may result in malfunction due to noise. Separate the input lines from high-voltage lines.
- Internal elements may be destroyed if a voltage outside the rated voltage is applied.
- Maintain voltage fluctuations in the power supply within the specified range.
- Use a switch, relay, or other contact so that the rated power supply voltage will be reached within 0.1 s. If the power supply voltage is not reached quickly enough, the H7GP/H7HP may malfunction or outputs may be unstable.

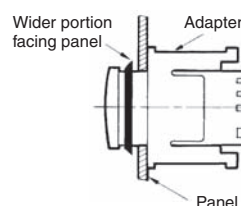
- Although the H7GP/H7HP power supply (primary side) is isolated from control circuits (secondary side) by a transformer, the primary and secondary sides of the transformer are linked by a capacitor, making it possible for high-frequency components to leak to the secondary side. Take adequate precautions against electrical shock. Do not connect input circuits to exposed parts (such as the machine body) and be sure that the power supply is turned off before wiring.



Flush Mounting

The panel surface is water-resistant (conforming to NEMA 4 and IP66). In order to prevent the internal circuit from water penetration through the space between the counter and operating panel, attach a rubber packing between the counter and operating panel and secure the rubber packing with the Y92F-3 flush-mounting adaptor.

Be sure the rubber packing is installed in the correct direction. The wider portion must be facing the panel when installed, as shown in the following illustration. Using a flat-head screwdriver, press in the Mounting Adapter until it cannot be pressed in any further in order to ensure water-resistant performance.



Other

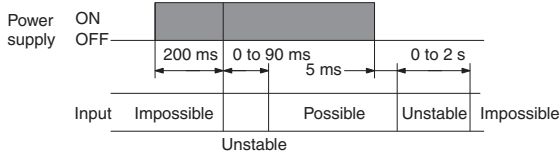
Oil resistance is not applicable to all types of oil. Be sure to test any specific oils before actual application.

■ Precaution for Correct Use

Power Supplies

When turning the power ON and OFF, input signal reception is possible, unstable, or impossible as shown in the diagram below.

Apply the power supply voltage through a relay or switch in such a way that the voltage reaches a fixed value immediately.



Self-diagnostic Function

The following displays will appear if an error occurs.

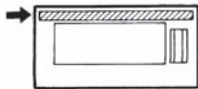
Display	Error	Correction
----	Less than -99999 (H7HP, 6-digit model) Less than -99999999 (H7HP, 8-digit model)	Press RST Key or reset input
e1	CPU	Press RST Key or turn power OFF and then ON
e2	Memory	

Labels

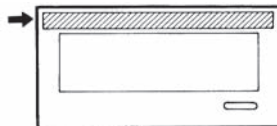
Unit labels are included with the H7GP/H7HP and DIP switch labels are included with the H7HP. Attach these labels as shown in the following illustrations.

Unit Labels

H7GP

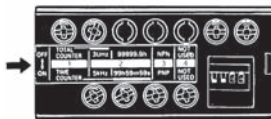


H7HP



DIP Switch Labels

H7HP



ALL DIMENSIONS SHOWN ARE IN MILLIMETERS.

To convert millimeters into inches, multiply by 0.03937. To convert grams into ounces, multiply by 0.03527.

In the interest of product improvement, specifications are subject to change without notice.

Terms and Conditions Agreement

Read and understand this catalog.

Please read and understand this catalog before purchasing the products. Please consult your OMRON representative if you have any questions or comments.

Warranties.

(a) Exclusive Warranty. Omron's exclusive warranty is that the Products will be free from defects in materials and workmanship for a period of twelve months from the date of sale by Omron (or such other period expressed in writing by Omron). Omron disclaims all other warranties, express or implied.

(b) Limitations. OMRON MAKES NO WARRANTY OR REPRESENTATION, EXPRESS OR IMPLIED, ABOUT NON-INFRINGEMENT, MERCHANTABILITY OR FITNESS FOR A PARTICULAR PURPOSE OF THE PRODUCTS. BUYER ACKNOWLEDGES THAT IT ALONE HAS DETERMINED THAT THE PRODUCTS WILL SUITABLY MEET THE REQUIREMENTS OF THEIR INTENDED USE.

Omron further disclaims all warranties and responsibility of any type for claims or expenses based on infringement by the Products or otherwise of any intellectual property right. (c) Buyer Remedy. Omron's sole obligation hereunder shall be, at Omron's election, to (i) replace (in the form originally shipped with Buyer responsible for labor charges for removal or replacement thereof) the non-complying Product, (ii) repair the non-complying Product, or (iii) repay or credit Buyer an amount equal to the purchase price of the non-complying Product; provided that in no event shall Omron be responsible for warranty, repair, indemnity or any other claims or expenses regarding the Products unless Omron's analysis confirms that the Products were properly handled, stored, installed and maintained and not subject to contamination, abuse, misuse or inappropriate modification. Return of any Products by Buyer must be approved in writing by Omron before shipment. Omron Companies shall not be liable for the suitability or unsuitability or the results from the use of Products in combination with any electrical or electronic components, circuits, system assemblies or any other materials or substances or environments. Any advice, recommendations or information given orally or in writing, are not to be construed as an amendment or addition to the above warranty.

See <http://www.omron.com/global/> or contact your Omron representative for published information.

Limitation on Liability; Etc.

OMRON COMPANIES SHALL NOT BE LIABLE FOR SPECIAL, INDIRECT, INCIDENTAL, OR CONSEQUENTIAL DAMAGES, LOSS OF PROFITS OR PRODUCTION OR COMMERCIAL LOSS IN ANY WAY CONNECTED WITH THE PRODUCTS, WHETHER SUCH CLAIM IS BASED IN CONTRACT, WARRANTY, NEGLIGENCE OR STRICT LIABILITY.

Further, in no event shall liability of Omron Companies exceed the individual price of the Product on which liability is asserted.

Suitability of Use.

Omron Companies shall not be responsible for conformity with any standards, codes or regulations which apply to the combination of the Product in the Buyer's application or use of the Product. At Buyer's request, Omron will provide applicable third party certification documents identifying ratings and limitations of use which apply to the Product. This information by itself is not sufficient for a complete determination of the suitability of the Product in combination with the end product, machine, system, or other application or use. Buyer shall be solely responsible for determining appropriateness of the particular Product with respect to Buyer's application, product or system. Buyer shall take application responsibility in all cases.

NEVER USE THE PRODUCT FOR AN APPLICATION INVOLVING SERIOUS RISK TO LIFE OR PROPERTY OR IN LARGE QUANTITIES WITHOUT ENSURING THAT THE SYSTEM AS A WHOLE HAS BEEN DESIGNED TO ADDRESS THE RISKS, AND THAT THE OMRON PRODUCT(S) IS PROPERLY RATED AND INSTALLED FOR THE INTENDED USE WITHIN THE OVERALL EQUIPMENT OR SYSTEM.

Programmable Products.

Omron Companies shall not be responsible for the user's programming of a programmable Product, or any consequence thereof.

Performance Data.

Data presented in Omron Company websites, catalogs and other materials is provided as a guide for the user in determining suitability and does not constitute a warranty. It may represent the result of Omron's test conditions, and the user must correlate it to actual application requirements. Actual performance is subject to the Omron's Warranty and Limitations of Liability.

Change in Specifications.

Product specifications and accessories may be changed at any time based on improvements and other reasons. It is our practice to change part numbers when published ratings or features are changed, or when significant construction changes are made. However, some specifications of the Product may be changed without any notice. When in doubt, special part numbers may be assigned to fix or establish key specifications for your application. Please consult with your Omron's representative at any time to confirm actual specifications of purchased Product.

Errors and Omissions.

Information presented by Omron Companies has been checked and is believed to be accurate; however, no responsibility is assumed for clerical, typographical or proofreading errors or omissions.

2015.7

In the interest of product improvement, specifications are subject to change without notice.

OMRON Corporation
Industrial Automation Company

<http://www.ia.omron.com/>

(c)Copyright OMRON Corporation 2015 All Right Reserved.